

Portable Gas Grill Assembly Instructions Model #BQ - 1536

"Before"
Liz Overstreet

*WARNING:

For outdoor use only. Do not place on combustible surface. Keep children away from hot grill.

*FOR YOUR SAFETY:

If you smell gas:

1. Shut off gas supply
2. Extinguish any open flame
3. Open lid
4. If odor persists, call your gas supplier or fire department immediately.

Do not store spare gas cylinders or use gasoline or other flammable liquids or vapors in the vicinity of this or any other appliance

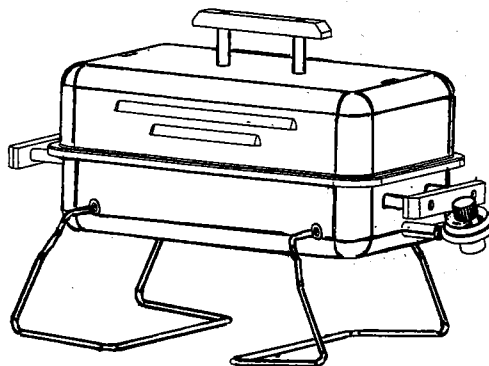
*CAUTION:

Use care when handling metal parts with sharp edges that could cut.

*TOOLS NEEDED:

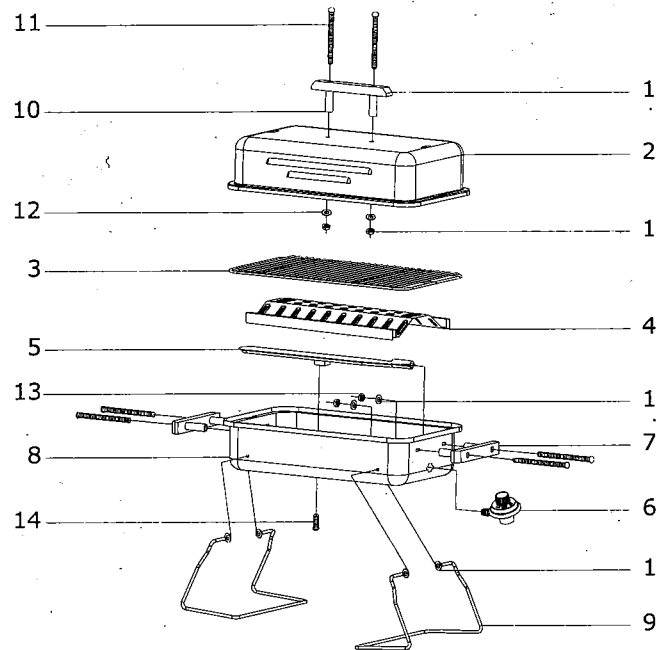
Pliers, flat-head screwdriver, #2 phillips screwdriver

*Read all instruction. Check that parts are present before beginning. Save this instruction manual.



***PARTS LIST:**

PART	DESCRIPTION	QTY
1	LID WOODEN HANDLE	1
2	LID	1
3	COOKING GRID	1
4	HEAT PLATE	1
5	BURNER	1
6	REGULAOR	1
7	SIDE WOODEN HANDLE	2
8	GRILL BOTTOM	1
9	WIRE LEG	2
10	BAKELITE TUBE	6
11	LONG SCREW	6
12	WASHER	10
13	NUT	6
14	SMALL SCREW	1



Assembly Instructions:

***DO NOT** tighten screws until grill is completely assembled

- A. Screw lid wooden handle(1) through bakelite tube(10) with long screw, washer(12) and nut(13) onto lid(2).
- B. Same way as A. for attachment side wooden handle(7) onto grill bottom(8).
- C. Insert wire leg(9) into holes in grill bottom with washer(12).
- D. Attach burner(5) to the grill bottom with small screw(14).
- E. Insert fitting of regulator(6) into burner.
- F. Put the heat plate(4) into the grill bottom.
- G. Place cooking grid(3) inside lip of grill bottom.

*General Information:

This appliance is designed to operate using Propane Gas. Propane Gas is heavier than air. Gas tends to collect in low areas. It is important that there are no leaking connections on your gas grill, as a fire or explosion could result. Please refer to leak testing.

PROPANE GAS CYLINDERS:

Your grill is designed to operate with one 16.4 oz. Capacity disposable cylinder(DOT 39 Cylinder) that is 7-3/8" high. DO NOT ATTEMPT TO REFILL ANY 16.4 OZ. DISPOSABLE FUEL CYLINDER.

One pound of Propane Gas has slightly more than 21,000 BTU's of heat energy. Thus your grill(rated at 10,000BTU) will cook for approximately 2 hours with the burner set on high, using one pound of gas.

OPERATING CLEARANCES:

Keep combustible surfaces at least 12 inches(30cm) away from sides, front and rear of the grill. Do not locate this appliance under overhead unprotected combustible surfaces. Disconnect the gas supply cylinder when this appliance is not in use. Keep appliance area clear and free from combustible materials, gasoline and other flammable vapors and liquids. Do not obstruct the flow of combustion and ventilation air.

When using a cylinder with this grill it must be equipped with:

1. The pressure regulator supplied with this appliance must be used. It will limit gas output to not more than a 17" water column.
2. A safety relief device having direct communication with the vapor space of the cylinder.
3. Markings to indicate D.O.T. number.
4. A supply system arranged for vapor withdrawal.

CLEANING INSTRUCTIONS

Allow the unit to cool before cleaning. Keep bottom vent openings clear by removing internal parts and scraping of grease. Use hot, soapy water and rinse afterwards. Clean the cooking grid with a wire brush. Clean grill as needed. DO NOT use a self-cleaning oven to clean any barbecue part to prevent damage to parts.

HANDLE PROPANE GAS SAFELY!

The cylinder must be installed, transported and stored in an upright position and should not be dropped or handled roughly. When the appliance is to be stored indoors, the connection between the Propane Gas cylinder and the appliance must be disconnected and the cylinder must be removed from the appliance.

When the Propane Gas supply cylinder is not disconnected from the appliance, the appliance and cylinder must be stored outdoors in a well ventilated space. The cylinder should never be transported or stored where temperature can reach 125F.

③ PRESSURE REGULATOR

A pressure regulator must be used with the Propane Gas cylinder. Do not attempt to disassemble or adjust regulator. If you suspect a leak, test with soap and water. If this part ever fails, it will leak, reduce fuel supply or shut off fuel supply.

② INSTALLING THE FUEL CYLINDER

1. Obtain a disposable fuel cylinder from your local dealer. Make sure top outlet on cylinder is free of dirt.
2. Lubricate threads on regulator valve with a small amount of petroleum jelly.
3. Thread fuel cylinder onto regulator valve and hand tighten firmly.

④ LEAK TESTING INSTRUCTIONS

Test for leaks each time a fuel cylinder is connected to the regulator. Never use a flame to leak test. Make a soap solution with equal part liquid soap and water. Apply solution to the connection a top of fuel cylinder. If bubbles are formed there is a leak that must be eliminated before you proceed. Remove soap residue with cold water and towel dry.

LIGHTING INSTRUCTIONS

1. IMPORTANT! Raise lid to open position. Any attempt to light burner with the lid closed may cause an explosion.
2. Hold lighted wooden match up through lighter hole located off center of bottom shell, while turning regulator valve knob to light position.
3. After lighting, observe burner flame in bottom. Be sure all burner ports are lighted. If burner does not light on first try, turn off gas. Wait 5 minutes for gas to clear before trying again.

OPERATING INSTRUCTIONS

Preheat grill for 5 minutes before each use with lid closed then turn control to desired level for cooking. Observe burner flames while adjusting. Windy conditions can blow out the burner if it is set too low.

WARNING:

If burner flame goes out when the unit is in use, always turn gas control to "OFF" immediately. Open lid and wait 5 minutes for unburned gas to clear before relighting burner.

*Use care to avoid burn hazard from possible grease flare-up. Do not expose any part of your body directly above cooking area.

*Before cooking for the first time, operate the grill 15 minutes with top closed and gas control on high. This will heat clean internal parts and dissipate odor from the paint finish. Flavor of food will improve with use.

TO SHUT OFF GRILL

Turn regulator knob to off.

MADE IN TAIWAN